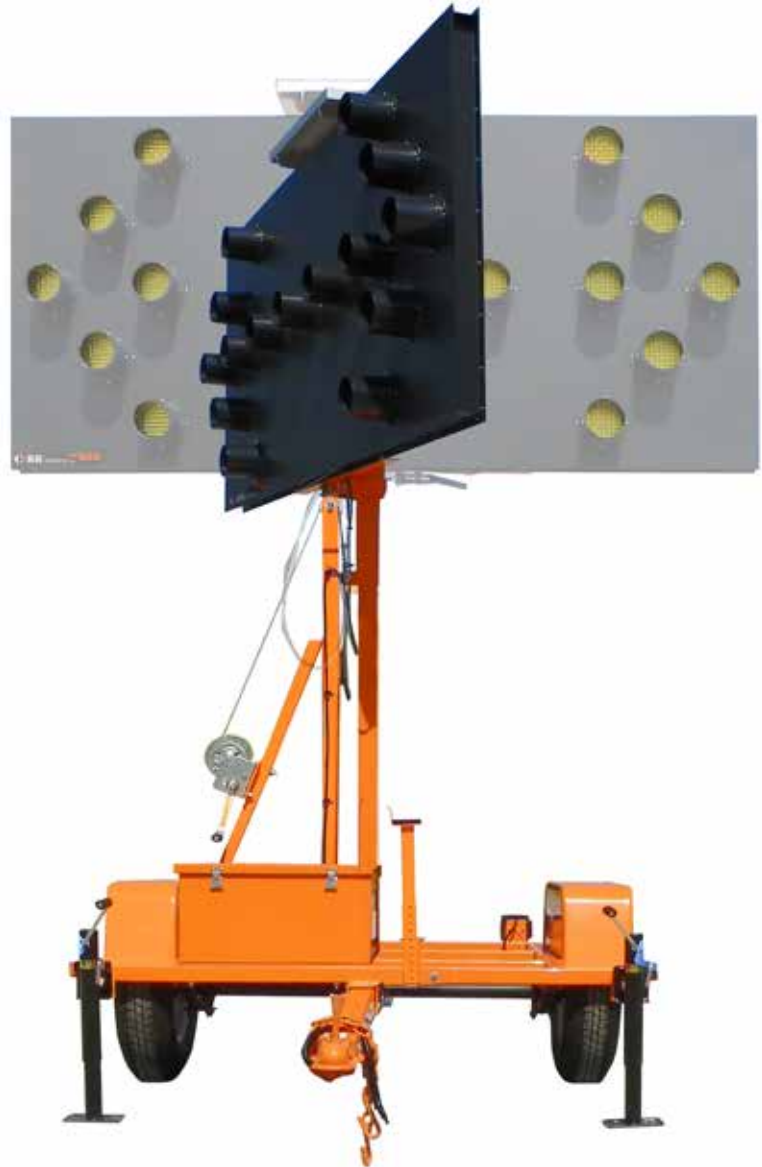


Arrow Board

Model Lcat154896wt

FEATURES

- 360° Telescopic Mast
- Jack on each corner
- 15" tires
- Solar Powered
- Meets MUTCD
- NTPEP Tested
- Removable Tongue
- Lockable Cabinets
- Photocell for Auto dimming
- Super Bright LED Technology
- Easy to operate & maintain
- Powder Coat Paint



Arrow Board Controller Functions

7 Functions

Flashing Modes

Corner caution



Left / Right



Caution bar



Double arrow



Sequential Modes

Sequential stem arrow, left / right

First pulse



Second pulse



Third pulse



Flashing rate, all models 30 to 40 per minute.
Consult factory for optional arrow modes not shown.



Standard 4 Corner Jack

Unlike most other arrow board manufacturers that utilize sliding jacks, Our arrow board trailers utilize a four corner jack system with side winding jacks to protect knuckles and to make it easier for personnel to setup and leave the unit in the field quickly and safely.

Arrow Board Trailer - General Specifications

Solar Powered, 15 Lamp (LED) Telescoping Winch Trailer Mounted Arrow Board

Trailer

Width: 68 1/2"

Length with tongue: 90"

Length without tongue: 55"

Salt Spray: 1,000 hours

Paint: Powder paint, orange with zinc primer

Main frame: 2" x 2" x 1/8" tubular steel

Wheels: 15"

Axle: 3,500 lbs leaf spring

Fenders: 16 gauge bolt on

Jacks: (4) adjustable 10" jacks (2,000 lbs. capacity)

Taillights: Dual combination reflective lights with stop, tail, and turn signal. License plate bracket.

Battery/Control Cabinet: Steel fabrication, lockable, hinged, vented

Lift winch: Gear ration- 4:1, Load Capacity-1200 lbs. Reel Capacity 58 ft.

Wiring: Enclosed in jacketed cable or conduit

Controller

Power Switch: Provides power from the control box to the Arrow Board

Power Indicator Light: The LED indicates the Control Box has power and is ready for operation

Fuse: Protects the wiring from damage in the event of a malfunction

Mode Selector: Provides selection of the warning modes

Manual Dim Switch: Provides the user with the ability to override the photocell used for the automatic dimming



Sign Display

Construction: .080 aluminum frame 48" x 96"

Cross members: .063 aluminum front & back panel 48" x 96"

Paint: Black powder coat paint

Salt Spray: 1000 hours

UV Resistant: 500 hours

Seal: Weather resistant

Length: 96"

Width: 48"

Depth: 3 3/8"

Visibility: 4800 feet

Raising and lowering of display: Winch

Flash Rate: 30-40 flashes per minute

LED's: (15) yellow/amber Par 46 LED's

Visor: 360 degree plastic high impact

Power and Charging

Batteries: (1) 12 volt 100 amp battery

Solar: (1) 40 watt solar panel

Onboard diagnostics to monitor: Solar, battery, and load

Regulator: 10 amp regulator with low voltage & high voltage disconnect.

15 Light Control Box

Auto: automatically adjusts the power to the lights from 100% (daytime use) to 50% (night time use) depending on the ambient light. The auto dimming is controlled through a photocell mounted in the bottom of each arrow board where it will be protected from vehicle headlights and street lamps.

Bright: Maintains 100% power to the lights regardless of ambient light.

Dim: Maintains 50% power to the lights regardless of ambient light.