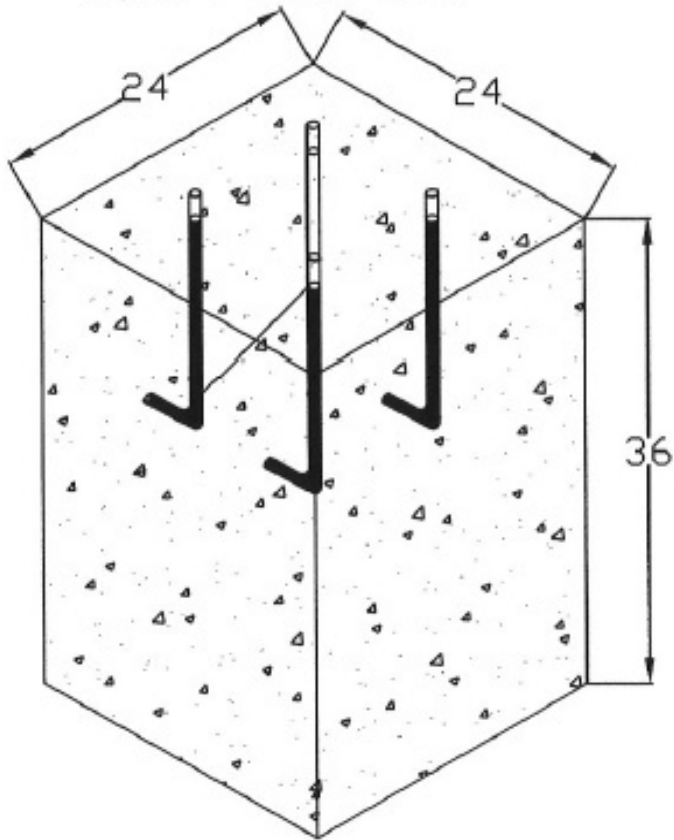
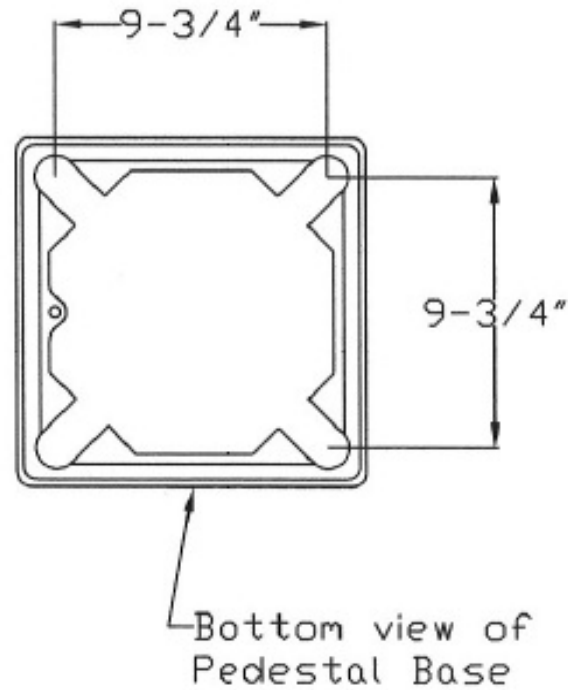


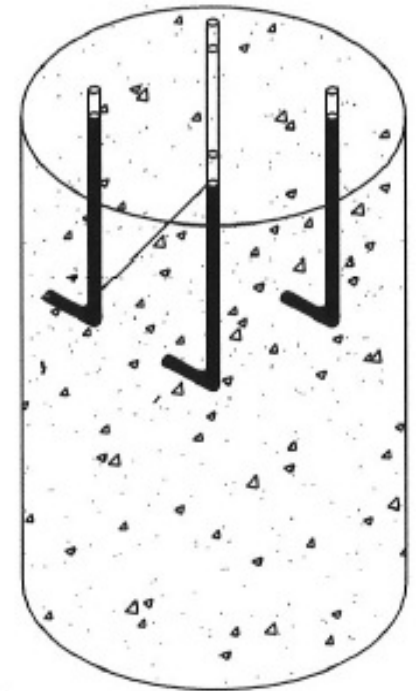
Square Hole Dims.



Anchor Bolt Hole Pattern



Round Hole
24" dia. - 36"
depth



PROPRIETARY AND CONFIDENTIAL

INFORMATION CONTAINED IN THIS DRAWING IS THE SOLE PROPERTY OF LIGHTCAST INC. REPRODUCTION IN PART OR AS A WHOLE WITHOUT THE WRITTEN PERMISSION OF LIGHTCAST INC. IS PROHIBITED.



MODEL NO	LC110-S8
SHEET NO	Anchor Bolt Pattern
DATE	5/18/2011