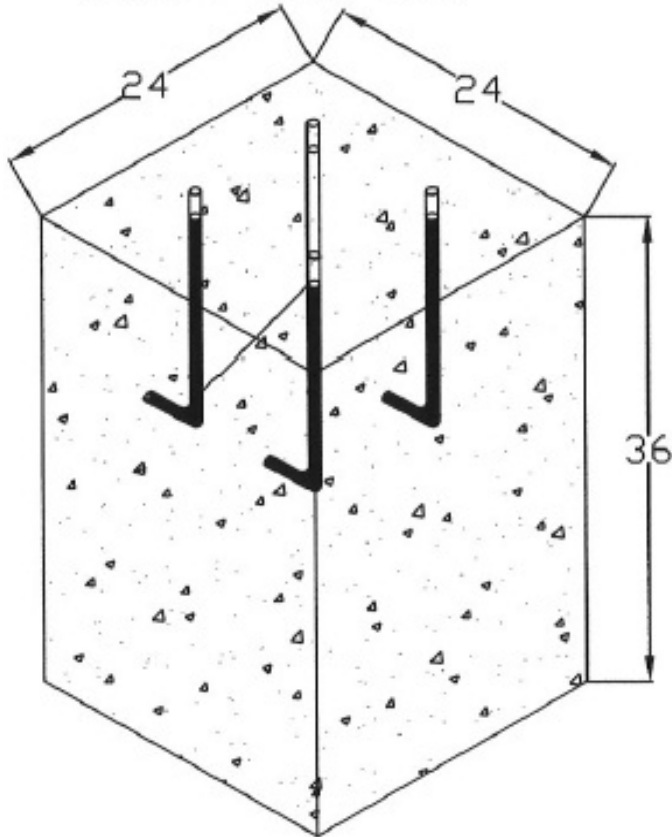
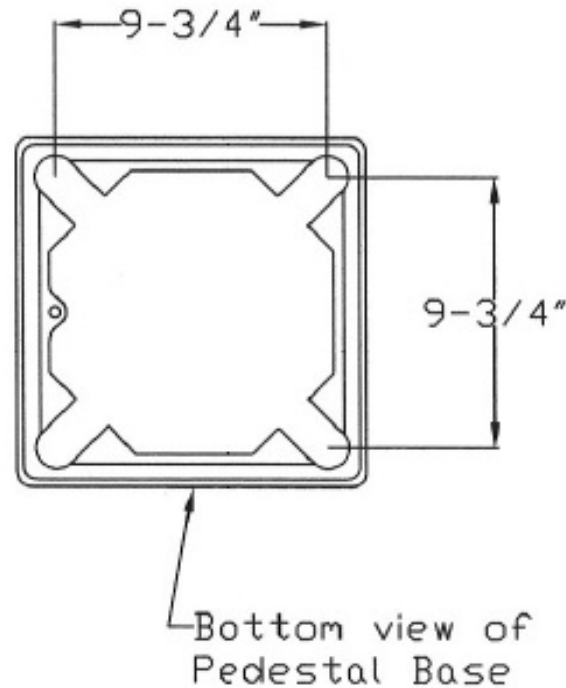


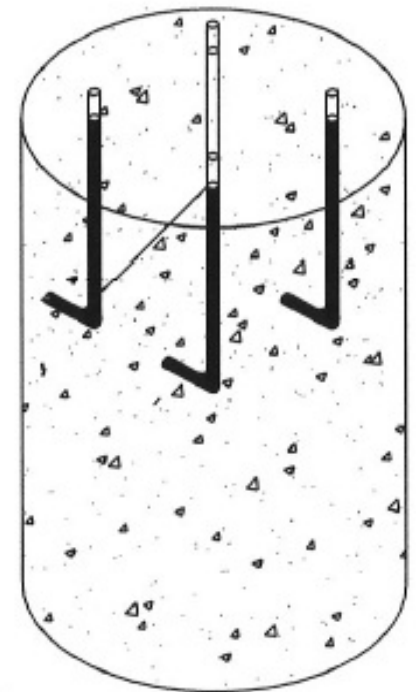
Square Hole Dims.



Anchor Bolt Hole Pattern



Round Hole
24" dia. - 36" depth



More support documents
are located on this products
web page listed under:
"View Support Documents"



PROPRIETARY AND CONFIDENTIAL

INFORMATION CONTAINED IN
THIS DRAWING IS THE SOLE
PROPERTY OF LIGHTCAST INC
REPRODUCTION IN PART OR
AS A WHOLE WITHOUT THE
WRITTEN PERMISSION OF
LIGHTCAST INC. IS PROHIBITED

MODEL NO	Optional CCTR
SHEET NO	Anchor Bolt Pattern
DATE	5/18/2011