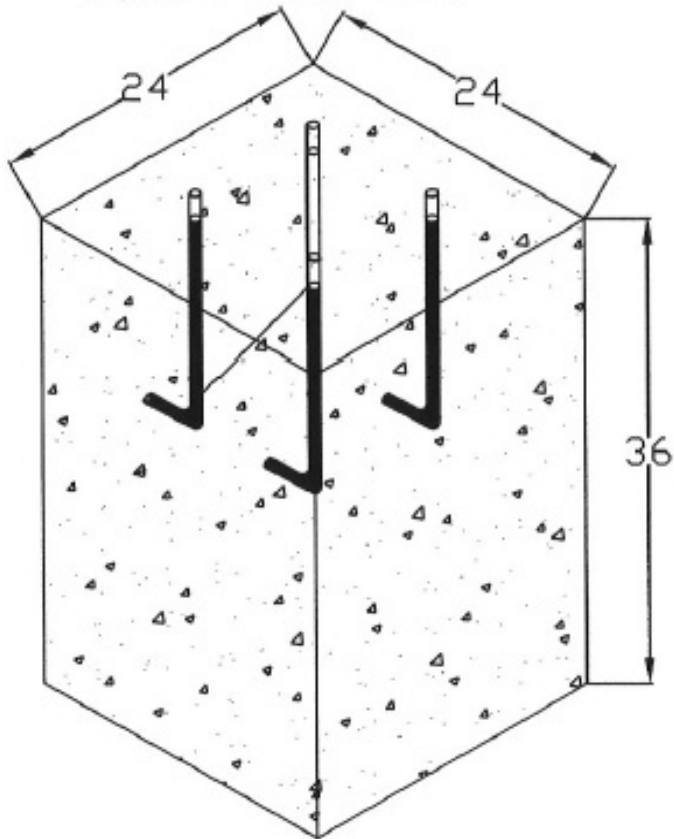
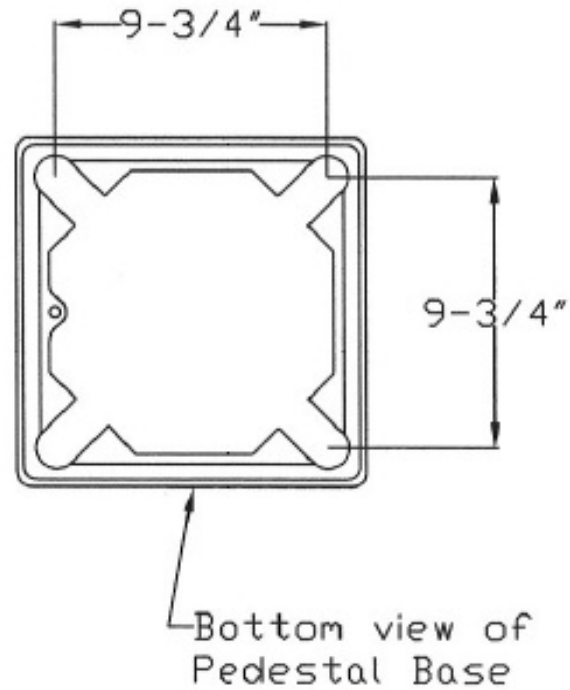


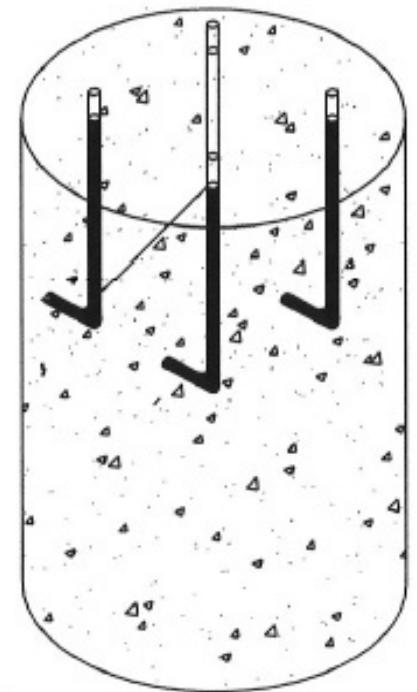
Square Hole Dims.



Anchor Bolt Hole Pattern

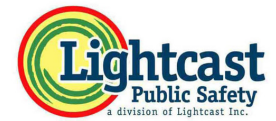


Round Hole  
24" dia. - 36"  
depth



**PROPRIETARY AND CONFIDENTIAL**

INFORMATION CONTAINED IN THIS DRAWING IS THE SOLE PROPERTY OF LIGHTCAST INC. REPRODUCTION IN PART OR AS A WHOLE WITHOUT THE WRITTEN PERMISSION OF LIGHTCAST INC. IS PROHIBITED.



**MODEL NO** Optional CCTR

**SHEET NO** Anchor Bolt Pattern

**DATE** 5/18/2011